

A B C D E F

NOTES:

1.MATERIAL:

HOUSING: HALOGEN FREE PLASTIC,UL94V-0

TERMINAL: COPPER ALLOY

PLATING: "SEE P/N LEGEND"

FITTING NAIL: COPPER ALLOY

PLATING: "SEE P/N LEGEND"

② APPLY EVEN CIRCUIT PRODUCTS.

③ LOCKING WINDOW:ONE PLACE FOR 2&3 CKTS.

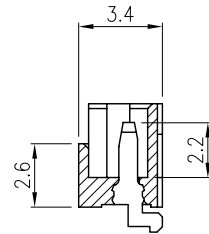
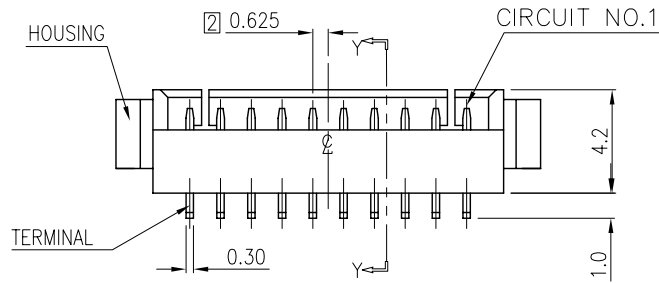
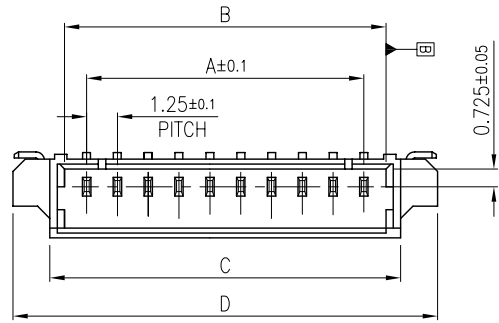
TWO PLACES FOR MORE THAN 4 CKTS.

4.COPLANARITY 0.1 MM MAX. BASE ON DATUM A

5.TRUE POSITION 0.1 MM MAX. BASE ON DATUM B

⚠ 6.The Specification Pls refer to PS-50271-XXXX-XXX.

7.PACKING. PLS. REFER TO 85204-xxxx-TRP



SEC. Y-Y

P/N LEGEND
50272-XXX X X-XXX

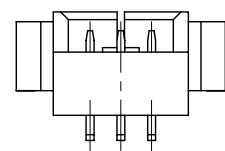
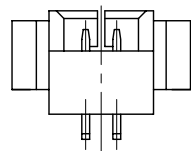
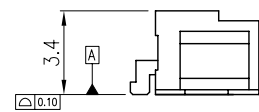
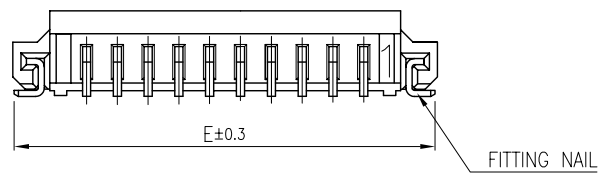
NO OF CKT

PACKING
0:TAPE & REEL
1:TUBE

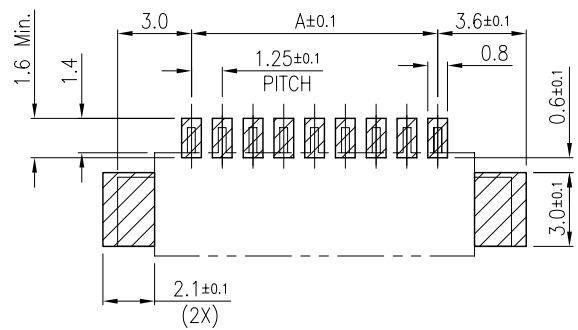
PLATING
L: LEAD FREE
1: GOLD FLASH OVER ALL
N: MATT TIN

XXX	MATERIAL&Color
001	HF&Black

CKT	Dim A	Dim B	Dim C	Dim D	Dim E
2	1.25	3.05	4.25	7.25	7.15
3	2.50	4.30	5.50	8.50	8.40
4	3.75	5.55	6.75	9.75	9.65
5	5.00	6.80	8.00	11.00	10.90
6	6.25	8.05	9.25	12.25	12.15
7	7.50	9.30	10.50	13.50	13.40
8	8.75	10.55	11.75	14.75	14.65
9	10.00	11.80	13.00	16.00	15.90
10	11.25	13.05	14.25	17.25	17.15
11	12.50	14.30	15.50	18.50	18.40
12	13.75	15.55	16.75	19.75	19.65
13	15.00	16.80	18.00	21.00	20.90
14	16.25	18.05	19.25	22.25	22.15
15	17.50	19.30	20.50	23.50	23.40



③ LOCK CONFIGURATION



PCB PATTERN LAYOUT

REV	REVISION DESCRIPTION	DATE	SIGNATURE
A	修改參考SPEC	08/12/29	liuwei
O	NEW DRAWING	08/10/16	liuwei

一般公差 TOLERANCES X ±0.5 XX ±0.15 X ±0.25 XXX ±0.1 ANGLES ±2°		宏致電子股份有限公司 Aces Electronic Co.,Ltd.	
檢驗尺寸標示 SYMBOLS ⊕ ⊗ INDICATE CLASSIFICATION DIMENSION ⊕ MARK IS CRITICAL DIM. ⊗ MARK IS MAJOR DIM.	品名 (TITLE) 1.25mm R/A WTB CONN. SMT R/A S/R TYPE 圖號 (DWG.NO) 50272-XXXX-XXX	製圖 (DR) '08/10/16 liuwei 審核 (CHKD) Sam 核准 (APPD) JASON	張數 (SHEET) 1 OF 1 比例 (SCALE) 3:1 單位 (UNITS) mm
表面處理 (FINISH)		圖號 (DWG.NO) 50272-XXXX-XXX	張數 (SHEET) 1 OF 1 比例 (SCALE) 3:1 單位 (UNITS) mm

A B C D E F